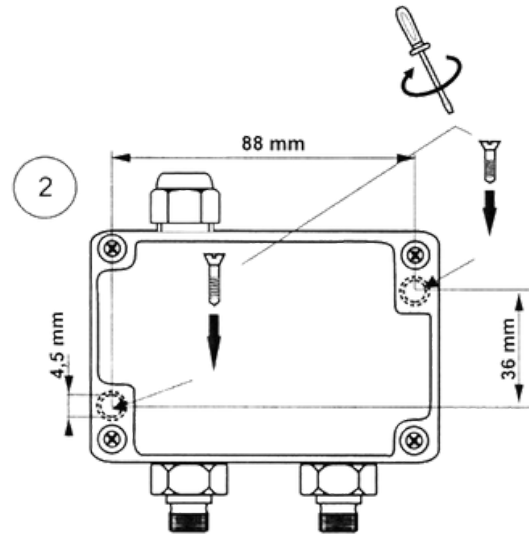
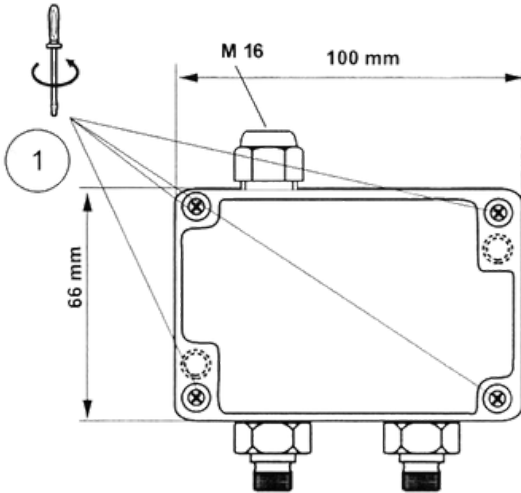


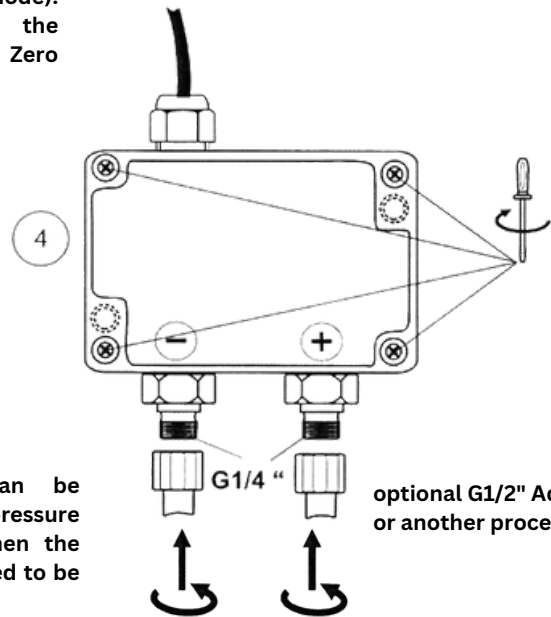
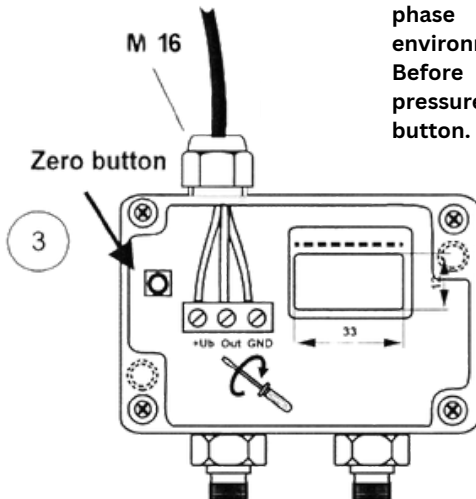
PMP-D211.01/PMP-D211.02

Differential pressure transmitter

INSTALLATION MANUAL

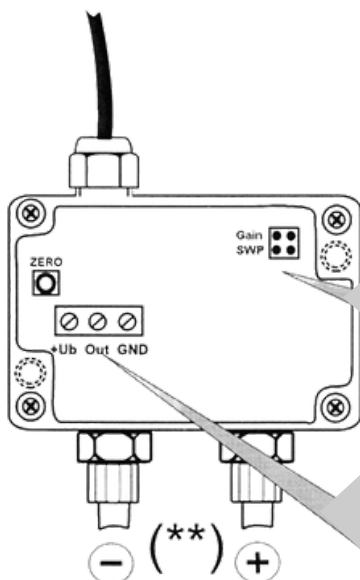


First connect the supply voltage. After the warm-up phase (15 min for each environmental operating mode). Before connecting to the pressure line, press the Zero button.



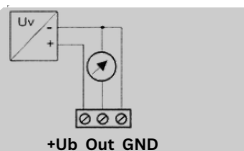
The zero correction can be repeated as required. The pressure applied to the sensor when the button is pressed is assumed to be the pressure value = 0 bar

optional G1/2" Adapter or another process connector



Jumper connection:*

- Gain - 2 x measurement range
- SWP - swap +/- process connection



Out: 0...10 V
Ub: 14...30 VDC
Out: 4...20 mA 3 wires
Ub: 12...30 VDC

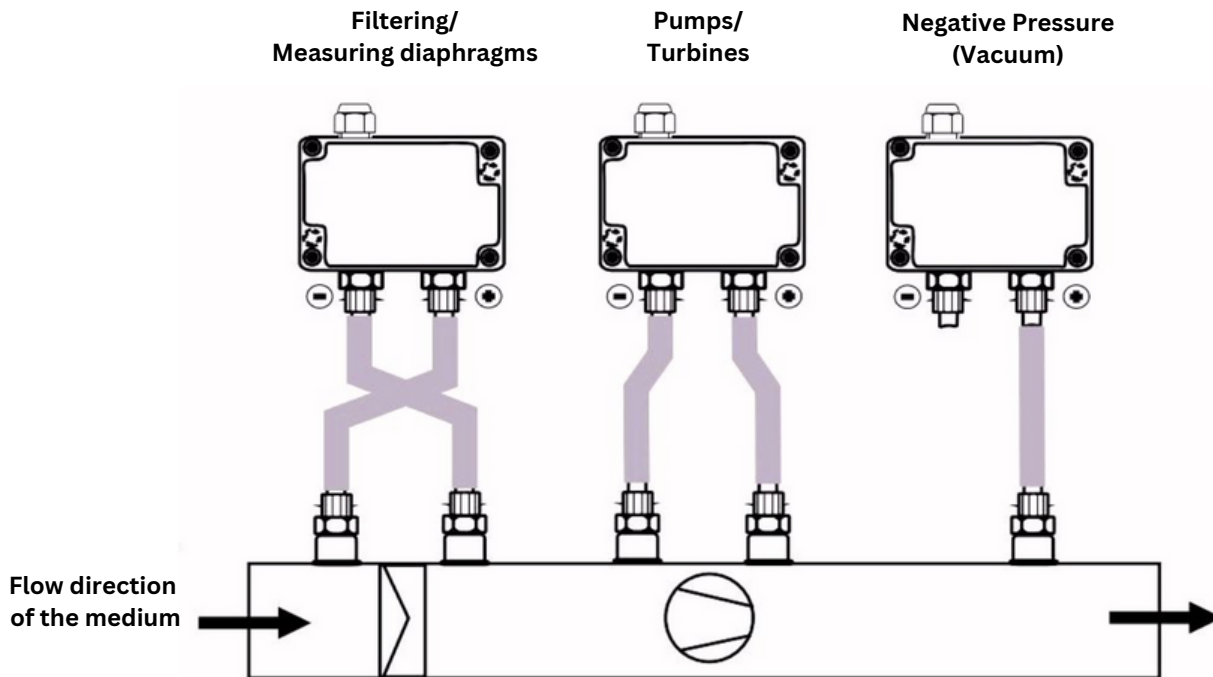
*not set in delivery state
** connection polarity when the bridge is not set

PMP-D211.01/PMP-D211.02

Differential pressure transmitter

INSTALLATION MANUAL

Installation diagrams for monitoring of:



Depending on the medium and static pressure range, tubing or pipework systems are used for the process connection.