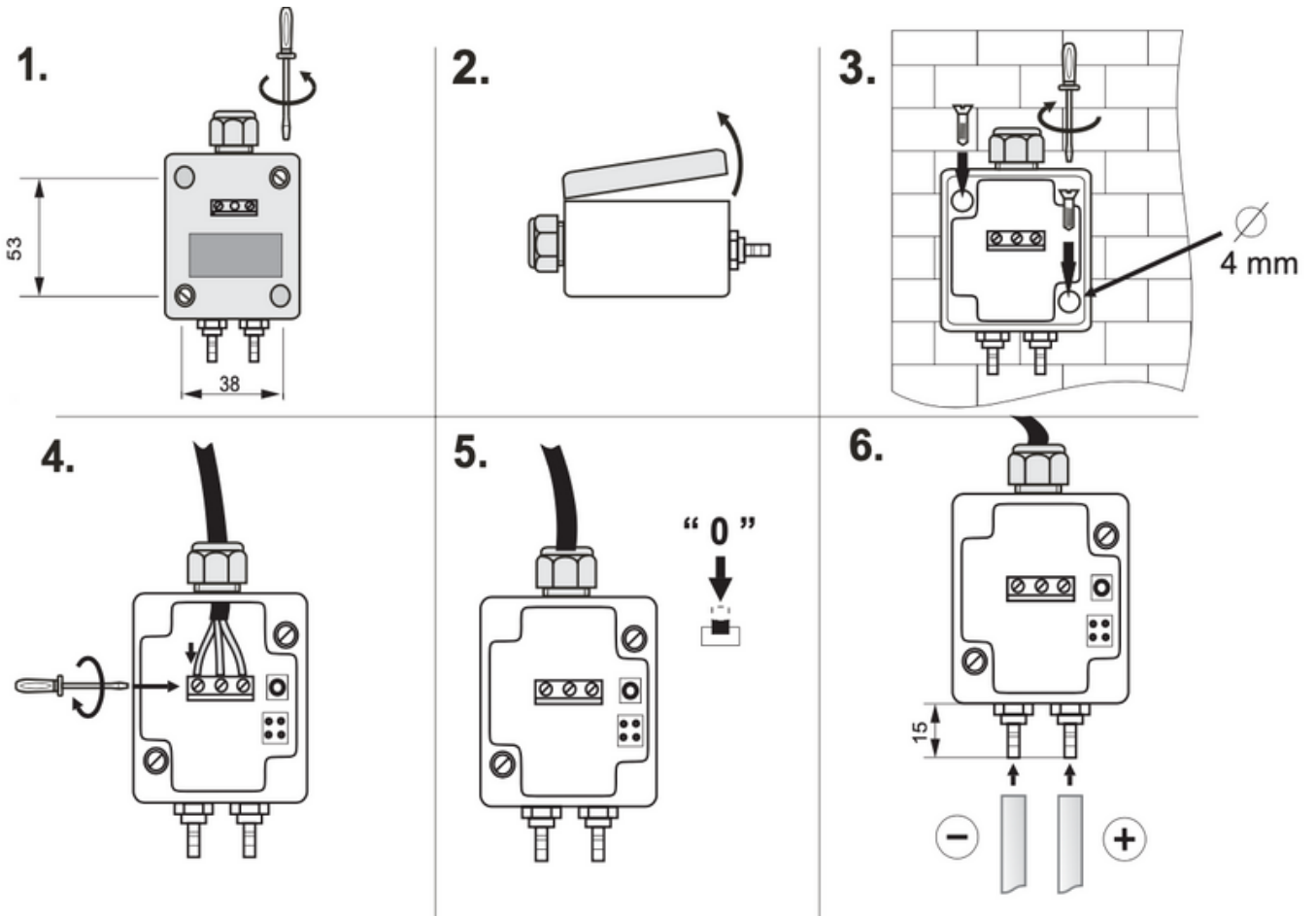


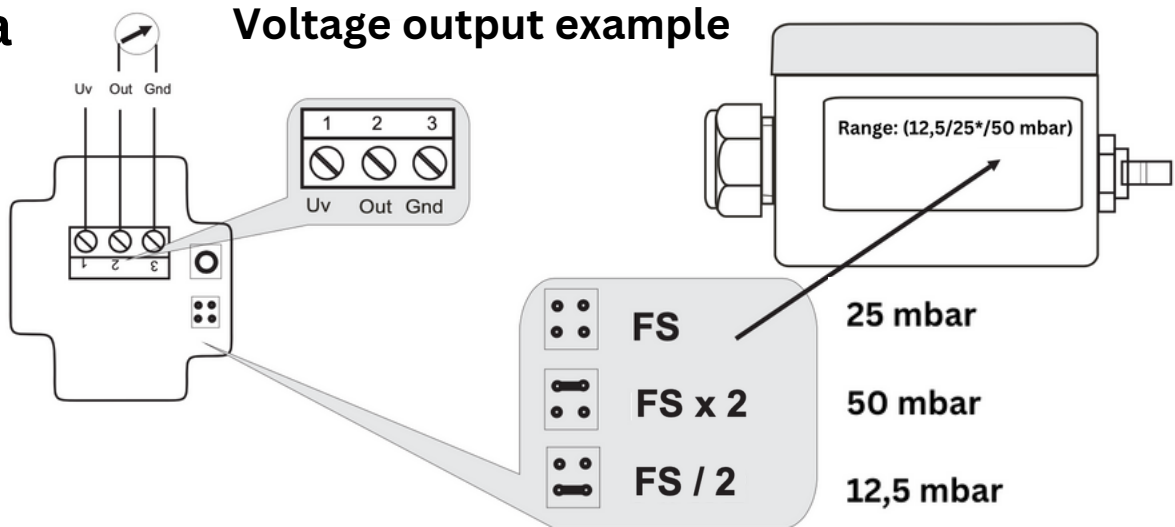
# PMP-D343.01

## Differential pressure transmitter

### INSTALLATION MANUAL



### 7a Voltage output example



output	supply voltage
0...10 V	14...32 V
0/1...5 V	10...32 V

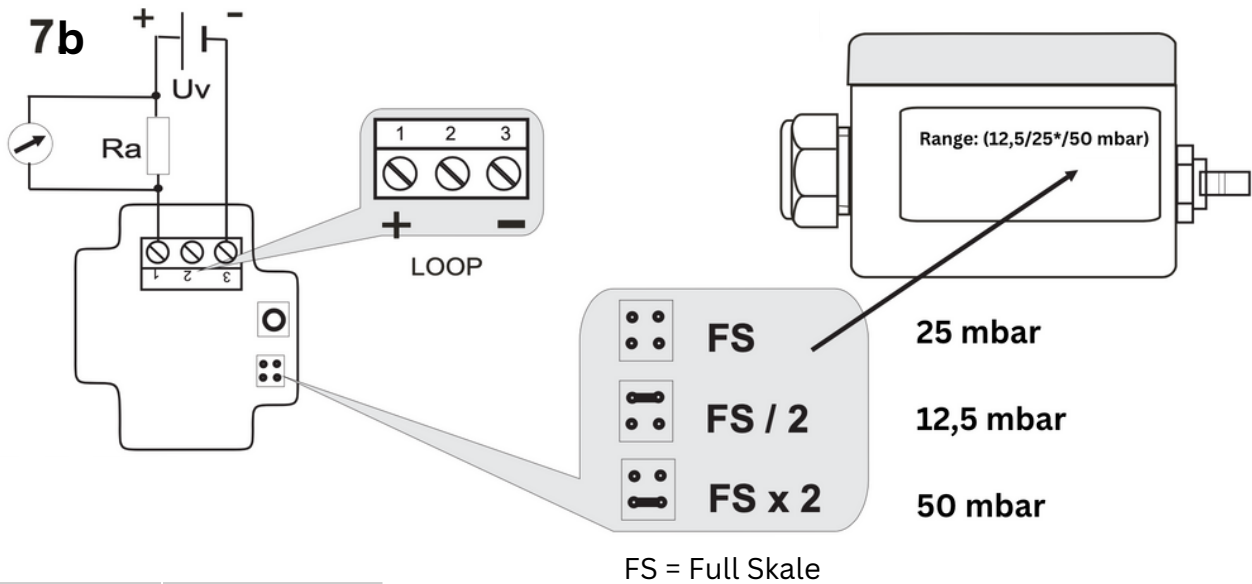
FS = Full Skale

# PMP-D343.01

## Differential pressure transmitter

### INSTALLATION MANUAL

#### Current output example



output	supply voltage
4...20 mA	10...32 V

$$R_a \leq (U_v - 10V) / 0,02 A$$