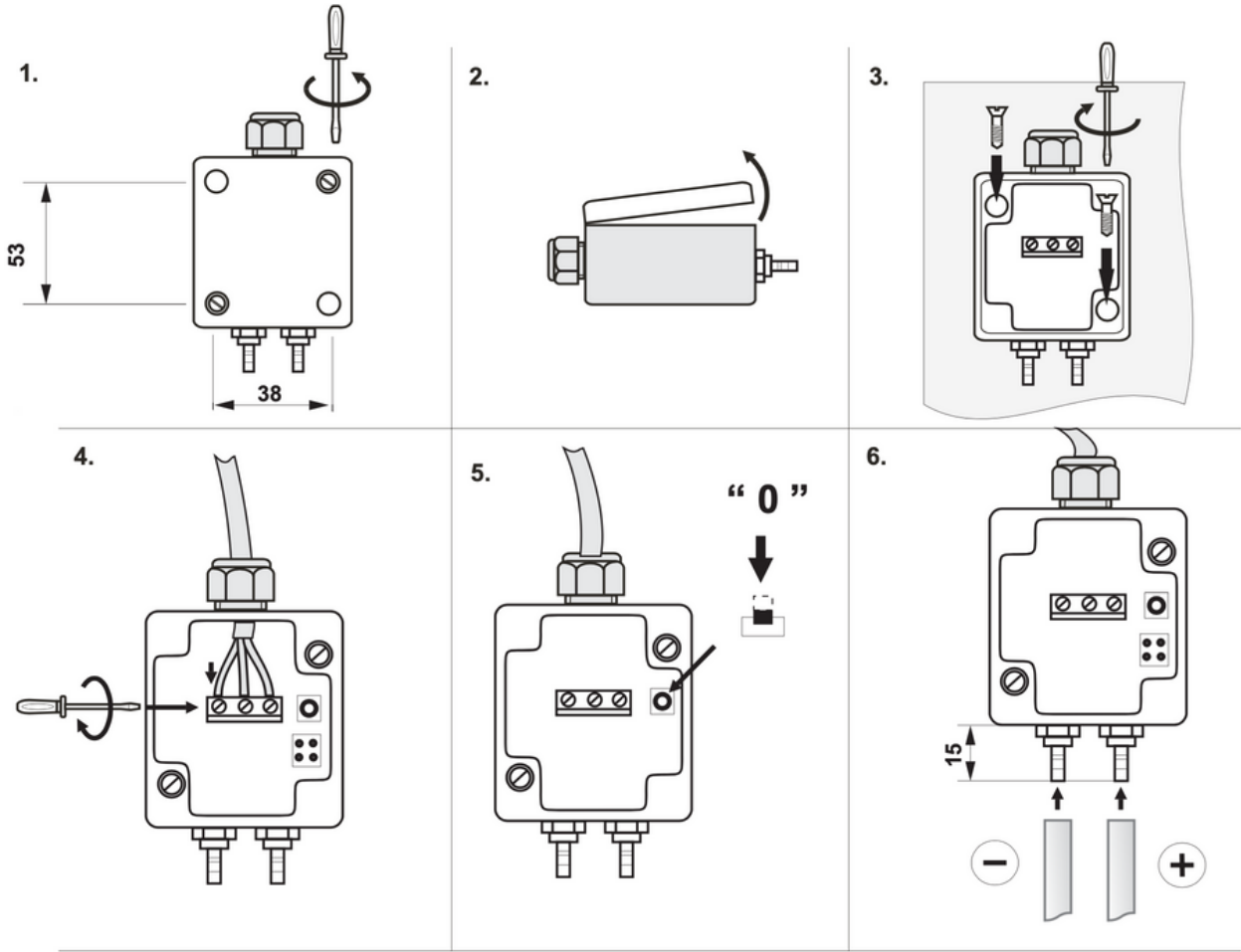


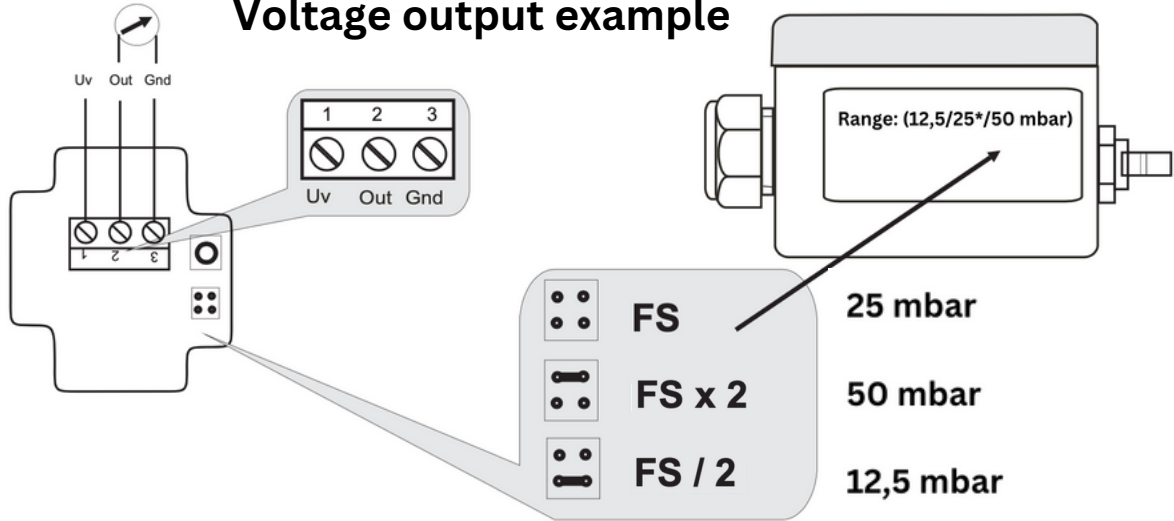
PMP-D343.02

Differential pressure transmitter

INSTALLATION MANUAL



7a. Voltage output example



output	supply voltage
0...10 V	14...32 V
0/1...5 V	10...32 V

FS = Full Skale

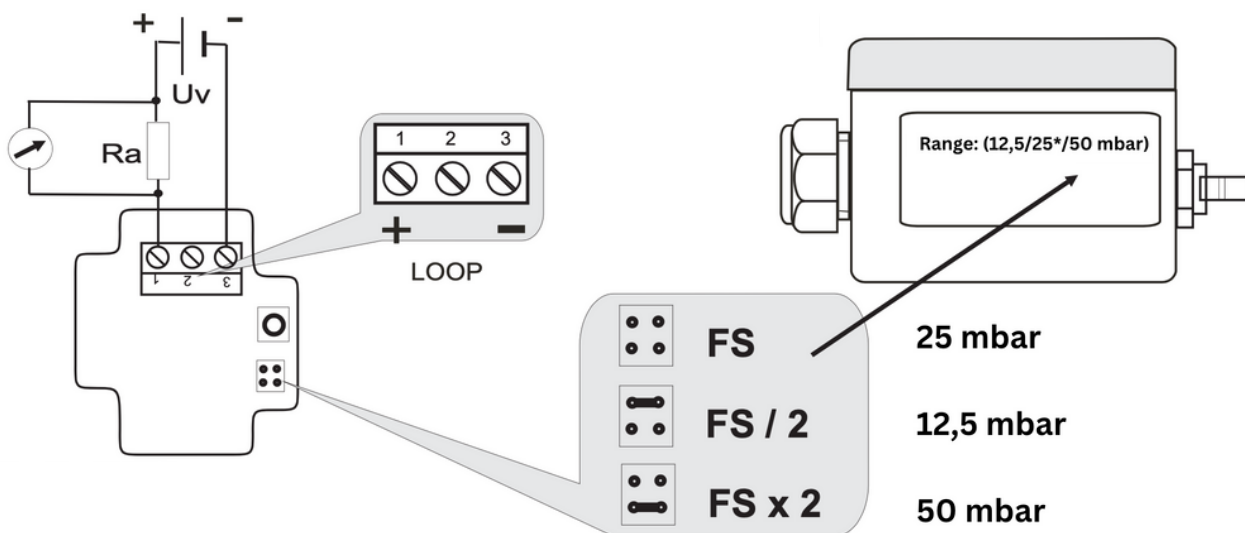
PMP-D343.02

Differential pressure transmitter

INSTALLATION MANUAL

7b.

Current output example



FS = Full Skale

output	supply voltage
4...20 mA	10...32 V

$$R_a \leq (U_v - 10V) / 0,02 A$$