



TEMPERATURE

CTS-Family (Compact temperature sensors)

PMT-C111-H

Datasheet

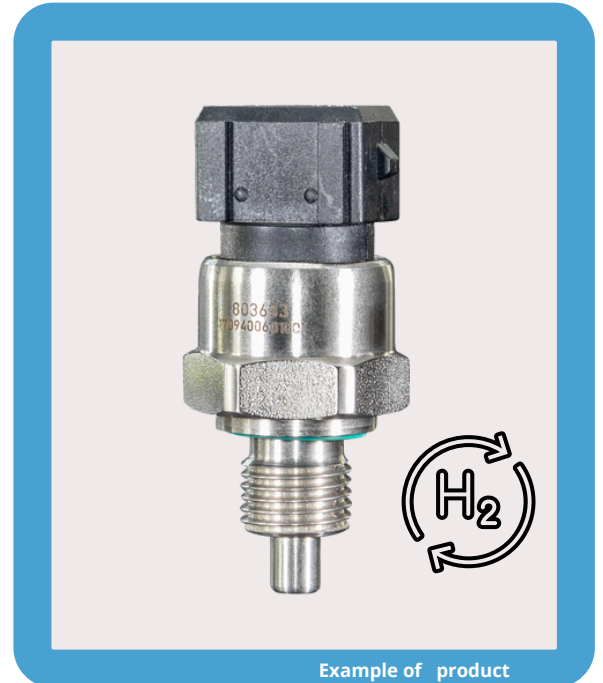
Stainless steel, safe temperature sensors with a single temperature sensing element and outputs in Ohm (PT100).

These temperature sensors have a more compact design.

They are suitable for all temperature ranges between -50 and 150 °C for hydrogen applications

MAIN FEATURE

- Hi- strength stainless steel construction
- Wide operating measuring range: -50 °C ... 150 °C (-58 °F ... 302 °F)
- Material: stainless steel 316L
- Low static and thermal errors
- Compatible hydrogen applications
- Several electrical connection available



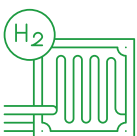
APPLICATION



GAS TECHNOLOGY



REMOTE PROCESS CONTROL



FUEL CELLS



Hydrogen applications

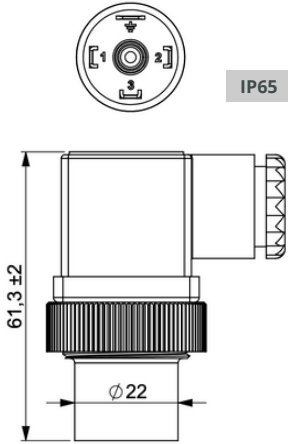
TECHNICAL SPECIFICATIONS

PERFORMANCE CHARACTERISTICS	
Overall accuracy	+/- (0,3K+0,005 x /t/) according to DIN EN 60751
Long-term stability	+/- 0,01 % FS per year in referential condition
Max. operating pressure	static 160 bar
Media temperature range	-50 °C ... 150 °C (-58 °F ... 302 °F)
Measuring element	1 x PT100, class B
ENVIRONMENTAL DATA	
Ambient temperatur range	-50 °C ... 150 °C (-58 °F ... 302 °F)
Storage temperature range	-50 °C ... 150 °C (-58 °F ... 302 °F)
Humidity	0 ... 100 % r. h., non condensing
Shock protection	EN/IEC 60068-2-32 (1 m free fall)
Vibration	20 g / 3 axes to EN/IEC 60068-2-6
Protection class	depending on electrical connection
Wetted parts	stainless steel 316L
ELECTRICAL DATA	
Output signal	In Ohm
Measuring current	recommended: 1 mA, max: 7 mA
PT100 configuration	2 wires
CONNECTION VERSIONS	
Electrical connection*	EN 175 301-803-A /-C; M12x1 (S763-4); Deutsch DT04-3P; Packard Metri-Pack; cable outlet
Process connections*	G1/4 Form E, 1/4"-18NPT, 7/16"-20 UNF, 9/16"-18 UNF
Temperature tip	stainless steel tip with diameter 6 mm (0.24") 10 mm ... 500 mm (0.4" ... 1.64 ft)
OUTLINE DIMENSIONS	
Over lenght:	from 20 till 150 mm

*other on request

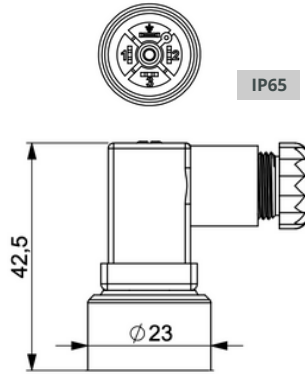
ELECTRICAL CONNECTION

EN 175 301-803-A



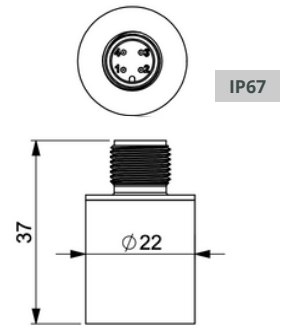
Pin1	Pin2
+	-

EN 175 301-803-C



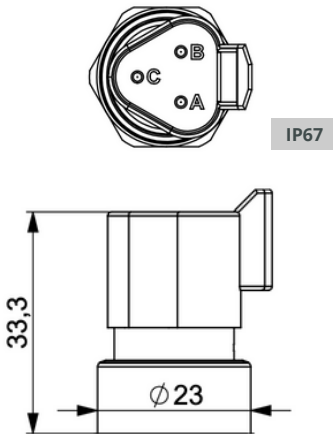
Pin1	Pin2
+	-

M12x1 (S763-4)



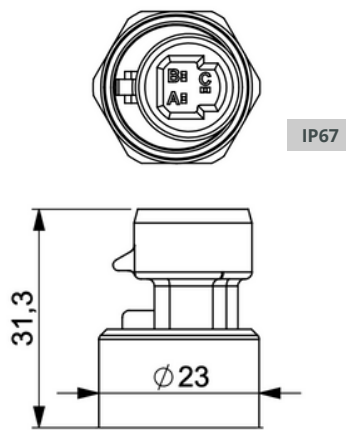
Pin1	Pin3
+	-

Deutsch DT04-3P



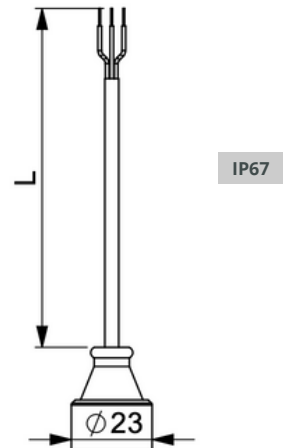
PinA	PinB
-	+

Packard Metri-Pack



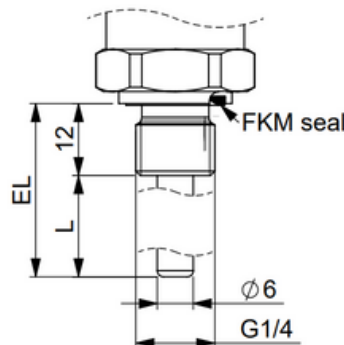
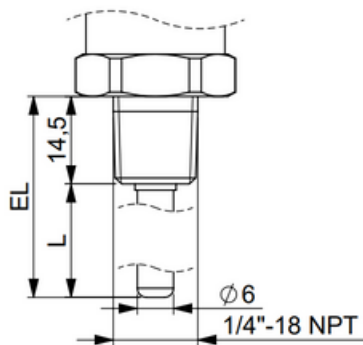
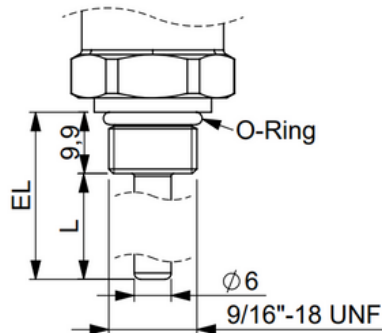
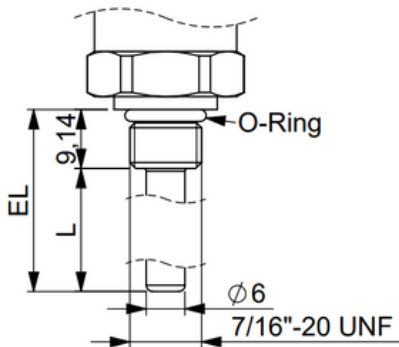
PinA	PinB
-	+

Cable



Red	Black
+	-

PROCESS CONNECTION



EL: installation length
L: tip length



Before installation and operation, ensure that the appropriate pressure sensor has been selected in terms of pressure range, design and specific measuring conditions. Non compliance can result in serious injury and/or damage to the equipment.

WARNING: Prignitz Mikrosystemtechnik reserve the right to modify their products without notice to customers. It is imperative that we should be consulted over any particular use or application of our products and it is the responsibility of the buyer to establish, particularly through all the appropriate testes, that the product is suitable for the use or application. Under no circumstances will our warranty apply, nor shall we be held responsible for any application (such as any modification, addition, deletion, use in conjunction with other electrical or electronic components, circuits or assemblies, or any other unsuitable material or substance) which has not been expressly agreed by us prior to the sale of our products.

CUSTOMIZED SOLUTIONS

An indisputable advantage of the products from Prignitz Mikrosystemtechnik is that in addition to the specified parameters, a variety of specific customer requests can be implemented:

- other process and electrical connections available in a wide range of options
- analog output signals can be customized upon request.

Feel free to ask us. We are ready to implement individual solutions for you.

APPROVALS CERTIFICATE

CE Compliance: EMC directive 2014 / 30 / EU according in EN 61326-2-3

RoHS guideline: 2011/65/EU

Approved according to the European Directive EC79/2009

PRIGNITZ-Mikrosystemtechnik GmbH is certified acc. to ISO 9001. We offer a multitude of products compliant with ATEX, IECEx, CSA, and other worldwide relevant qualifications.

CSA master contract: MC 267726

CSA certificate #: 7008 0999



DISMOUNTING, RETURN AND DISPOSAL

Dismounting

Physical injuries and damage to property and the environment caused by hazardous media. Upon contact with hazardous media (e.g. oxygen, acetylene, flammable or toxic substances), harmful media (e.g. corrosive, toxic, carcinogenic, radioactive), and also with refrigeration plants and compressors, there is a danger of physical injuries and damage to property and the environment.

- Should a failure occur, aggressive media with extremely high temperature and under high pressure or vacuum may be present at the instrument.
- Wear the requisite protective equipment.

Dismounting the instrument

- Depressurise and de-energise the pressure transmitter.
- Disconnect the electrical connection.
- Unscrew the pressure transmitter with a spanner using the spanner flats.

Return

Strictly observe the following when shipping the instrument:

All instruments delivered to Prignitz Mikrosystemtechnik must be free from any kind of hazardous substances (acids, bases, solutions, etc.) and must therefore be cleaned before being returned.

TRANSPORT, PACKAGING AND STORAGE

Transport

Check the pressure transmitter for any damage that may have been caused during transportation. Obvious damage must be reported immediately.

Packaging and storage

Do not remove packaging until just before mounting.

Keep the packaging as it will provide optimum protection during transport (e.g. change in installation site, sending for repair).

Recommended conditions at the place of storage:

- 40 °C to 150 °C (- 40 °F ... 302 °F)

Edition version: D/PMT-C111-H/Rev.4/Nov.2024/ENG

HOW TO ORDER

PMT-C111-H-XX-(XX..XX)-XX-XXX-XX-XX

FAMILIES

C = CTS Family

MEASURING ELEMENT

1 = PT100, class B

MATERIAL

1 = Stainless Steel

HYDROGEN

Suitable for Hydrogen applications

ELECTRICAL OUTPUT

Ohm

TEMPERATURE RANGES

e.g.

-20 ... 150

-40 ... 85

0 ... 100

UNIT

19 = Celsius

20 = Fahrenheit

23 = Kelvin

ELECTRICAL CONNECTION

01 = Packard Metri-Pack

02 = MVS/A

03 = MVS/C

05 = M12x1 (S763-4)

09 = DT04-3P

C2 = Cable 4P

PROCESS CONNECTION

00 = customized

01 = G1/4"A form E

08 = 1/4"-18 NPT

33 = 7/16-20 UNF

10 = 9/16-18 UNF

TIP LENGTH

e.g.

5mm

0,2in

0,1ft

Please note that :

In mm:

min = 5mm

max=30 mm

In Inch

min = 0,2in

max= 1,18in

In Feet

min = 0,1ft

max= 0,098ft

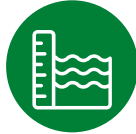
Other upon request.

PRIGNITZ

MIKROSYSTEMTECHNIK



PRESSURE



LEVEL



TEMPERATURE



CALIBRATION &
SERVICE

© 2024 PRIGNITZ Mikrosystemtechnik GmbH
All rights reserved. / Alle Rechte vorbehalten.

CONTACTS:

Tel.: **+49 (0) 38 77 / 5 67 46-0**
Fax: **+49 (0) 38 77 / 5 67 46-18**
Margarethenstraße 61
19322 Wittenberge / Elbe
Germany
info@prignitz-mst.de